

Lexmark XS925de colour MFP



Image enhancer. Workflow advancer.



Colour



Touch
Screen



Copy



Scan



Fax



Solutions



A3 (11x17)



Up to
30 ppm

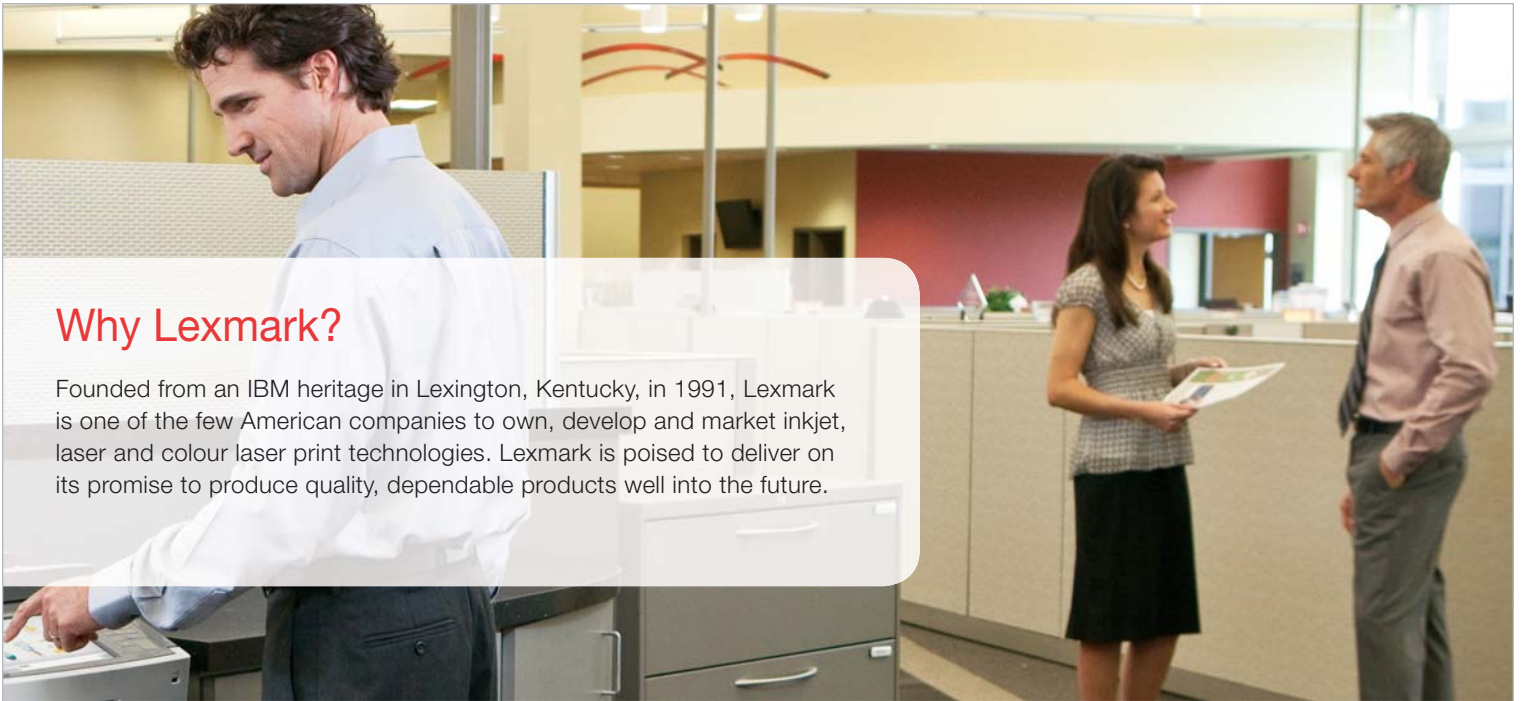


Duplex



Network

LEXMARK
TM



Why Lexmark?

Founded from an IBM heritage in Lexington, Kentucky, in 1991, Lexmark is one of the few American companies to own, develop and market inkjet, laser and colour laser print technologies. Lexmark is poised to deliver on its promise to produce quality, dependable products well into the future.

Lexmark XS925de Family highlights



Make a lasting impression with award-winning colour.

The documents you print define an important image – yours. That's why Lexmark colour MFPs help businesses be more productive and stand out with vibrant colour. With the ability to print professional quality colour in-house, you can add instant impact and save costs by virtually eliminating the need to outsource print jobs. Lexmark also offers a host of colour-access and control tools to manage cost.



Eco-responsible. Printing responsibly means everyone wins – your business, your budget and the environment. Lexmark's award-winning products are designed for ease of use, high quality output and reliable performance, with innovative capabilities that help you minimize the number of cartridges you use over the life of the printer and conserve paper and energy. Our goal is to design, package and deliver innovative products and solutions in an environmentally responsible manner.

The Lexmark Cartridge Collection Program is active around the world providing a variety of methods for free returns of your empties to Lexmark or our collection partners. Our goal: Make it easy to do the right thing.



Environmental protection is a shared responsibility.

Through our work with industry groups, Lexmark helps guide the formation of standards and guiding principles for environmental sustainability.

Our memberships include:

- AeA Europe
- American National Standards Institute (ANSI)
- Ecma International
- Electronics Industry Citizenship Coalition (EICC)
- European Information & Communications Technology Industry Association (EICTA)
- Information Technology Industry Council (ITI)
- ITI Environmental Leadership Council



Lexmark XS925de overview



Affordable Colour Output. The Lexmark XS925de delivers high quality 11x17 colour multifunction performance in an affordable, compact design. Enjoy the benefits of vibrant, professional-quality output on a wide variety of media, allowing you to do more colour printing in-house.

- PANTONE® calibration for consistent colour tones
- Named Colour Replacement for easy colour matching
- Supports media up to 11.7 x 48 inches (banner)
- Lexmark Colour Care Technology to manage colour usage and control costs



Easy and Intuitive. The Lexmark XS925de is designed for easy operation and maintenance.

- Extra large, easy to navigate 10.2-inch colour touch screen provides audible and tactile feedback to make completing tasks intuitive
- Print and scan preview features help you select documents or specific pages within a document
- Ability to change settings, such as duplex, at the device
- Robust connectivity makes it easy to integrate into almost any network environment
- Sleep Button and Hibernate Mode to reduce energy costs
- Device management software available



Business Productivity. The Lexmark XS925de combines high-performance printing, copying, scanning and faxing with time-saving solution applications designed to boost your productivity.

- Print and copy speeds as fast as 30 ppm in both black and colour
- Advanced copy functions include the ability to interrupt long print runs to make a quick copy, and proof the first copy set before completing your copy job
- Scan to multiple destinations, including scan to email, scan to FTP, scan to fax, scan to network, and more
- Preloaded applications to drive greater efficiency, and Lexmark Embedded Solutions Framework to further extend the capabilities of the device

Save time and money through solutions

Reduce unnecessary printing and simplify work processes through Lexmark solutions. The XS925de features the Lexmark Embedded Solutions Framework (eSF), our platform that enables you to add a wide range of software applications directly onto the device. Solutions are designed with your productivity in mind, helping you streamline—or even eliminate—paper intensive business processes.



Lexmark XS925de solutions

The right touch. The Lexmark e-Task colour touch screen is a key access point to your device. The extra large customizable 10.2-inch interface gives you the ability to preview thumbnails of documents prior to printing, as well as change print jobs at the device. You can even view, select and print specific pages within a document directly from the touch screen. Its easy-to-use, intuitive navigation provides fast access to the functions and shortcuts.



The following are a few of the Lexmark solutions available through your authorized Lexmark Business Solutions Dealers:



Showroom

Display a customizable, scrolling slideshow on the colour touch screen to promote your business or products, or to communicate important messages to your customers or employees.



Card Copy

Save time and effort in copying identification cards, licenses and insurance cards by automatically scanning, enlarging and copying both sides of a two-sided card onto one side of a sheet of paper.



Background and Idle Screen

Change the touch screen background to your corporate logo, custom images, a unique message or select from preloaded screens.

The following are solutions that come preloaded on the XS925de:



Forms and Favorites

Eliminate waste and inefficiencies associated with preprinted forms. Store frequently printed forms, marketing materials or other documents online, then print them on demand.



Scan to Network

Scan a hardcopy document and route the image to one of 30 predefined personal or public shared network folders.



Lexmark XS925de vertical solutions



Education Station. Solution integrated into the educational space where classroom testing and paperwork tasks can be performed with just one touch. Consists of Scan to Classroom, Print Test, Grade Test* and Forms on Demand.

Dental Assistant. Bundle of applications to help a dental office improve its common paper workflow processes. Consists of Scan to Network, Card Copy, Eco Copy, Forms on Demand, Remote Copy and Background and Idle Screen.

CPA Partner. Bundle of applications to help an accounting firm improve its common paper workflow processes. Consists of Scan to Network, Remote Copy, Eco Copy and Background and Idle Screen.

Contact your Lexmark Business Solutions Dealer for additional vertical solutions.

*Optional software available. Licensing fees apply.



Lexmark's standard security features for your network, data and devices.

Output security has never been more important to businesses of all sizes. Lexmark's security functions include device management, device hardening and device operation. Strong multilayered security is built-in.

Device management tools include administrative access and passwords, HTTPS, SNMPv3, IP security (IPSec) and 802.1x support to remotely monitor and manage device usage.

Device hardening includes port filtering, TCP connection filtering, hard drive encryption, hard disk wiping, and digitally signed firmware updates which enhances the security of the device's network interface.

Device operation utilizes user authentication, address book lookup via LDAP over SSL and device lockout for protection of user information.

Lexmark has shown its strength and leadership with respect to security by:

- Forming and chairing the group that created the IEEE 2600 standards for security on hardcopy devices.
- Becoming the first hardcopy device manufacturer to take a holistic approach with the National Information Assurance Partnership (NIAP) Common Criteria evaluation.

Lexmark XS925de key features



Lexmark XS925de colour MFP shown with optional paper drawers.

Features that help you optimize your work



1) 10.2-inch colour touch screen

Operate your device with ease and confidence through smart and intuitive navigation, easy access to workflow solutions and shortcuts, and the ability to preview your documents and print jobs at the device.



2) 100-sheet automatic document feeder (RADF)

Save time by scanning both sides of your document with robust colour-scanning capabilities and an input capacity of up to 100 pages.



3) Direct USB

The front USB port allows for convenient walk-up preview, printing and scanning, and is compatible with most printable image file formats.



4) Load multiple media types

150-sheet and 250-sheet input trays and a multipurpose feeder come standard, allowing you to load three media types.



5) Lexmark solutions

Reduce unnecessary printing and simplify work processes through solution applications preloaded on your device. Choose additional Lexmark solutions to fit your unique workflow needs.



6) Eco-friendly features

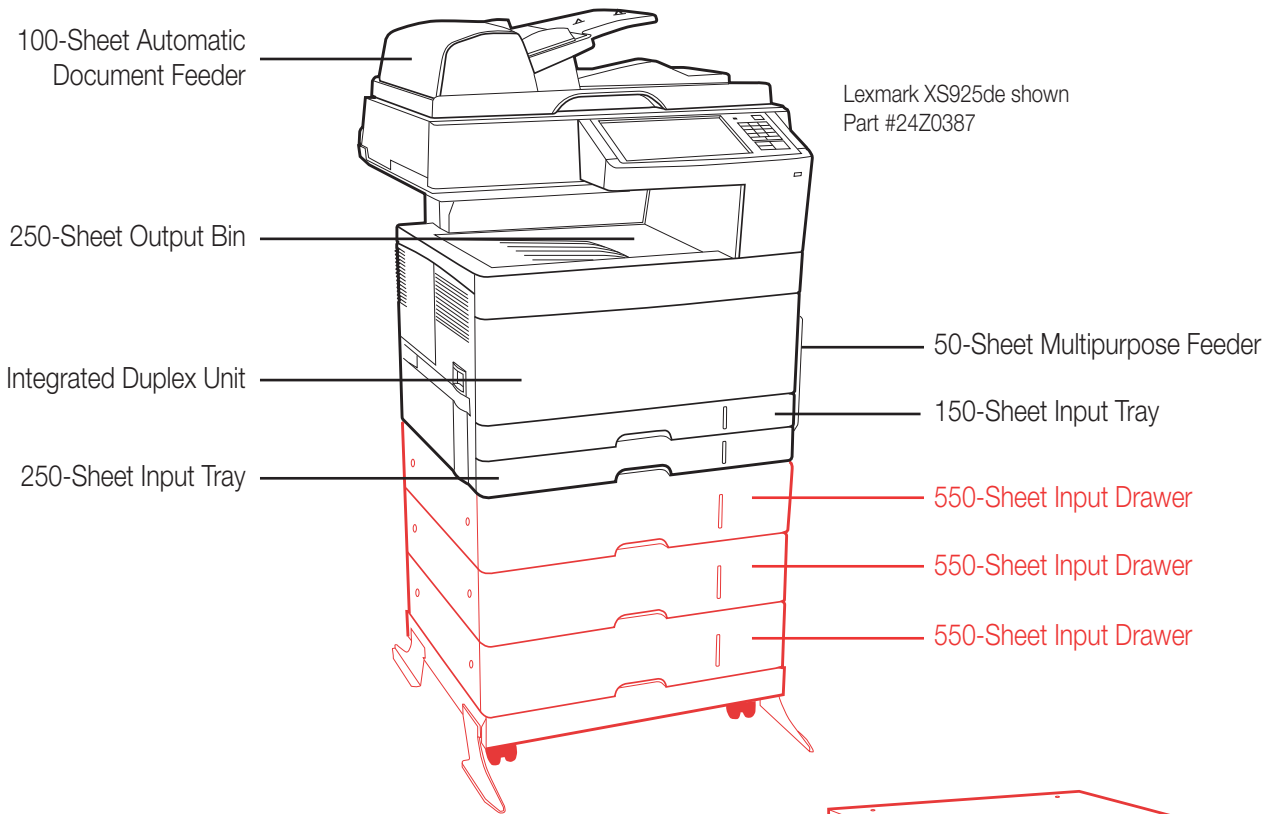
Print responsibly with easy-to-access features, including Eco-Mode to reduce paper and toner consumption, and the Sleep Button to help you save energy.



7) Front-loading toner cartridges

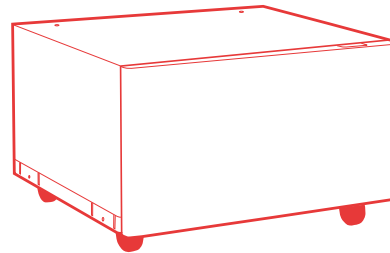
Cartridges are conveniently located at the front of the device for easy access.

Lexmark XS925de ordering information



■ Standard

■ Optional



Cabinet with Caster Base
(Only supports one additional 550-Sheet Drawer)

Compatible on the XS925de colour MFP

Part # Laser Toner/Print Cartridge

24Z0037	XS925 Black High Yield Toner Cartridge
24Z0035	XS925 Magenta High Yield Toner Cartridge
24Z0034	XS925 Cyan High Yield Toner Cartridge
24Z0036	XS925 Yellow High Yield Toner Cartridge

Part # Memory Options

14F0245	256MB Flash Card
---------	------------------

Part # Application Solutions

24Z0042	Card for IPDS
24Z0041	Forms and Bar Code Card
24Z0043	Card for PRESCRIBE Emulation

Part # Connectivity

27X0025	MarkNet N8250 802.11b/g/n Wireless Print Server
14F0037	MarkNet N8120 Gigabit Ethernet Print Server
14F0042	MarkNet N8130 Fiber Ethernet 100BaseFX, 10BaseFL Print Server
14T0220	MarkNet™ N7020e Gigabit Ethernet Print Server
1021294	USB Cable (2-meter)
14F0000	Parallel 1284-B Interface Card
1021231	Parallel Cable (10-foot)
14F0100	RS-232C Serial Interface Card

Part # Paper Handling

24Z0030	550-Sheet Input Drawer
24Z0031	Cabinet with Caster Base

Lexmark XS925de product specifications



Lexmark XS925de
part # 24Z0387

Speeds	
Black and Colour	Copy, Print, Scan up to 30 ppm Letter
Paper Handling	
Paper Capacity	Standard Input: 450; Standard Output: 250 Maximum Input: 2,100 (500 + 550 + 550 + 250 + 150 + 50); Maximum Output: 250
Media Information	Types: Card Stock, Envelopes, Glossy Paper, Labels, Plain Paper, Transparencies, Banner Media Size: Letter, Legal, Ledger, Statement, Universal, Folio, Executive, A3, A4, A5, A6, Oficio JIS-B5, Envelopes (7-3/4, 9, 10, DL, B5, C5)
ADF Capacity	Up to 100 Sheets
Copy	
	Touch Screen: 10.2-inch Colour, Customizable Memory (Min/Max): 1536 MB/1536 MB Copy Resolution: 600 x 600 dpi
Print	
	Time to First Page: As Fast as 9 Seconds (Black); As Fast as 11 Seconds (Colour) Resolution: 600 x 600 dpi; 1200 Image Quality Processor: 1 GHz/Hard Drive: 160+GB Connectivity (Standard): USB 2.0 Specification Hi-Speed Certified (Type B), Front USB 2.0 Specification Hi-Speed Certified Port (Type A), Rear USB 2.0 Specification Hi-Speed Certified Port (Type A), Ethernet 10/100/1000 BaseTX (RJ-45) Connectivity (Optional): Parallel, Serial, Wireless
Scan	
	Simplex Scan Speed (Ltr/Black,Colour): Up to 32 sides per minute Duplex Scan Speed (Ltr/Black,Colour): Up to 16 sides per minute Scan Features: Resolution: 600 x 600 dpi; Flatbed Scanner with ADF Scan Destinations: USB Thumbdrive, E-mail, FTP, IDSS, Network or USB Connected Computer, Windows Network Folder File Formats: TIFF, JPG, PDF, XPS, Secure PDF
Fax	
	Resolution: 600 x 600 dpi Fax Features: Fax Redirect, Group Fax, Manual Fax, Fax from PC, Up to 512-Character Shortcuts, Fax Preservation, LDAP Look-up, Caller ID, Speed Dials, Block Junk Faxes, Broadcast, Fax Shortcuts, Fax Forwarding
Security	
	User authentication and authorization controls including LDAP; Card reader option to add an extra layer of security; Hard disk encryption protects sensitive data on the disk drive; Automatic scheduled or manual disk wiping; IPsec, SNMPv3 and 802.1x network security supported; Security-audit logging to help track and identify security risks
Supplies Yield	
	7,500*-Page Colour (CMY) High Yield Toner Cartridges; 8,500*-Page Black High Yield Toner Cartridge *Average continuous black or continuous composite CMY declared cartridge yield up to this number of standard pages in accordance with ISO/IEC 19798.
Recommended Monthly Volume	
	Up to 10,000 Pages/Month
	Contact your dealer about workflow solutions.

Recommended Monthly Page Volume

Recommended Monthly Page Volume is a range of pages that helps customers evaluate Lexmark's product offerings based on the average number of pages customers plan to print on the device each month. Lexmark recommends that the number of pages per month be within the stated range for optimum device performance, based on factors including: supplies replacement intervals, paper loading intervals, speed, and typical customer usage.

Trademarks

Lexmark and Lexmark with the diamond design are trademarks of Lexmark International, Inc., registered in the United States and/or other countries. All other trademarks are the property of their respective owners. PCL is a registered trademark of Hewlett-Packard Company. AppleTalk, Mac and Macintosh are trademarks of Apple Computer, Inc., registered in the United States and other countries. MarkNet and MarkVision are trademarks of Lexmark International, Inc., registered in the United States and/or other countries. ENERGY STAR® is a U.S. registered mark. Microsoft, Windows, the Windows logo, Windows Vista, and the Windows Vista logo are trademarks or registered trademarks of Microsoft Corporation in the United States and/or other countries. Citrix, MetaFrame and MetaFrame XP are registered trademarks or trademarks of Citrix Systems, Inc. in the U.S. and other countries. Information in this document is subject to change without notice.